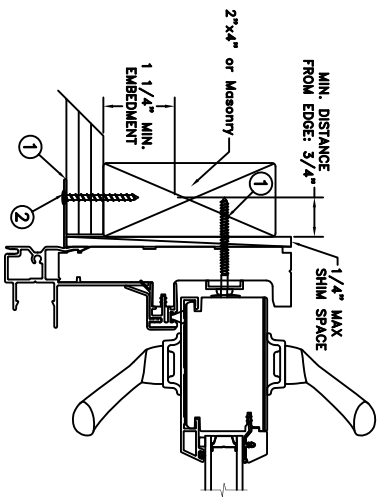


NAIL FIN INSTALLATION



Max Frame	DP	IMPACT
189 3/8 x 95 1/2	+/-25	NO

Installation Notes:

1. Seal flange/frame to substrate.
2. Use #8 X 1 1/4" PH or greater fastener through the nail fin with sufficient length to penetrate a minimum of 1" into the wood framing. For two (2X) wood frame substrate (min. S.G. = 0.42).
3. Install corrosion resistant #8 x 1 1/2" pan head fasteners in the sill 5" max. from the corners and 12" o.c. into subfloor.
4. Install corrosion resistant 2-#8 x 2" pan head fasteners through the fixed panel bracket and head jamb into the rough opening at the interlock.
5. Install corrosion resistant #8 x 3" screws through lock keepers into the rough opening.

General Notes:

1. The product shown herein is designed, tested and manufactured to comply with the wind load criteria of the adopted International Building Code (IBC), the International Residential Code (IRC), the Florida Building Code (FBC) and the industry requirement for the stated conditions.
2. All glazing shall conform to ASTM E1300.
3. At minimum, glazing is tempered glass.
4. Use structural or composite shims where required.

This schedule addresses only the fasteners required to anchor the window to achieve the rated design pressure up to the size limitations noted. It is not intended as a guide to the installation process and does not address the sealing consideration that may arise in different wall conditions. For the complete installation procedure, see the instructions packaged with the door or go to www.jeld-wen.com/resources/installation.

DISCLAIMER:

This drawing and its contents are confidential and are not to be reproduced or copied in whole or in part or used or disclosed to others except as authorized by JELD-WEN Inc.

PROJECT ENGINEER: ---	DATE: 03/03/2015		3737 Lakeport Blvd. Klamath Falls, OR. 97601 Phone: (541) 882-3451
DRAWN BY: D. Vezo	SCALE: NTS		
CHECKED BY: D. Stokes	TITLE: SiteLine Clad Sliding Patio Door		
APPROVED BY: ---			
PART/PROJECT No.: D004245	PLANT NAME AND LOCATION: Rantoul, IL	CAD DWG. No.: PramClPDIInstall	REV: 00
IDENTIFIER No. N/A			SHEET